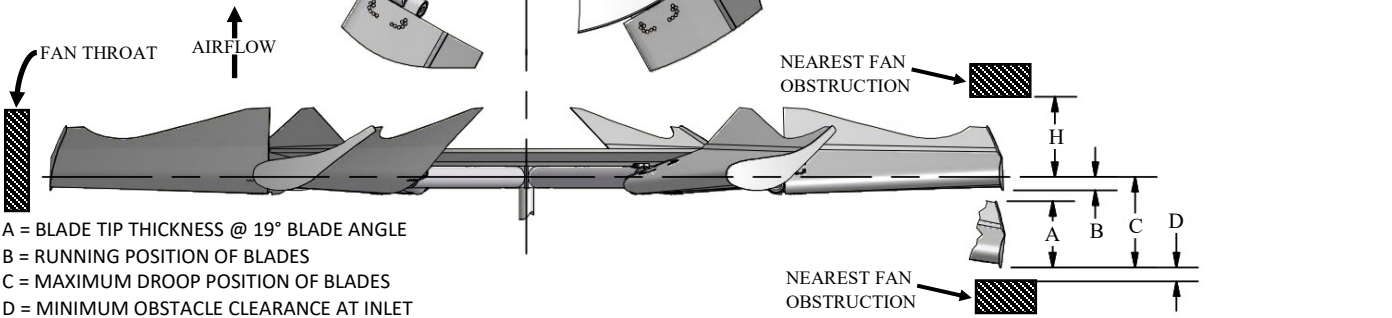
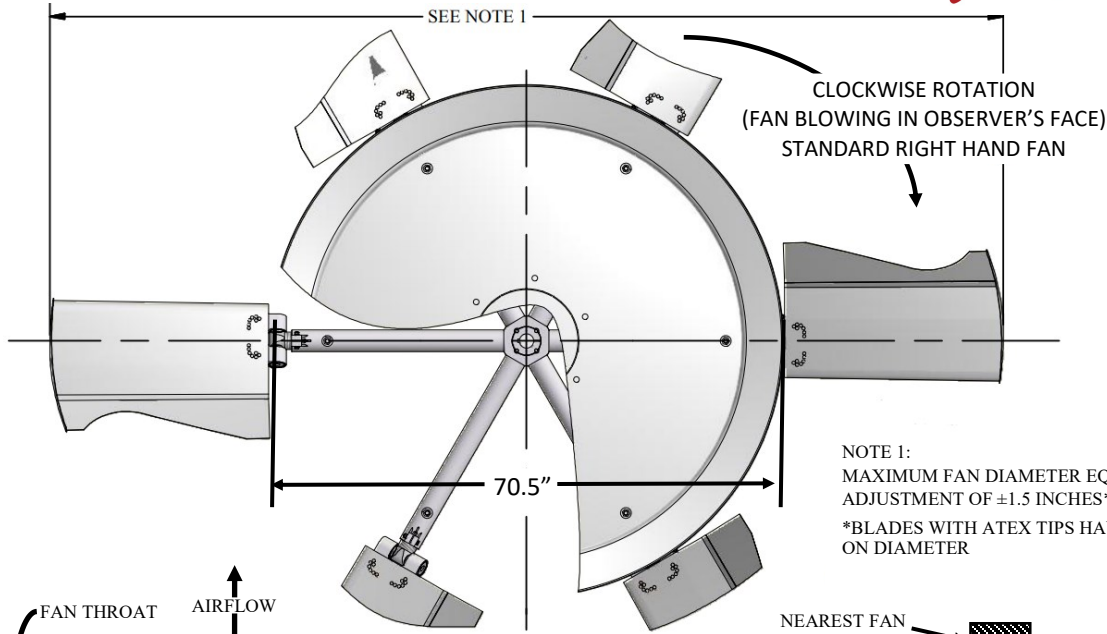
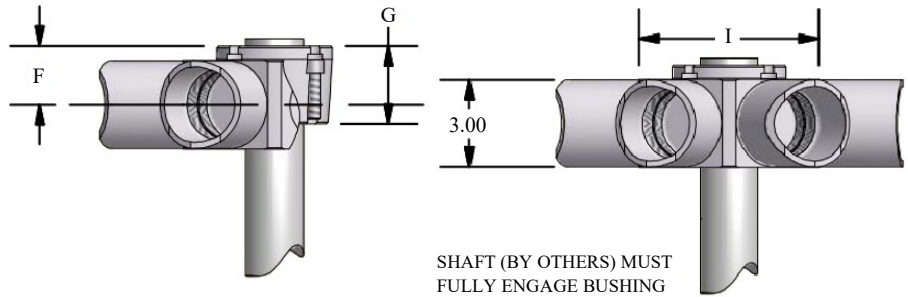


# CLASS 10000 HD SERIES 72 EC

## EXTENDED CHORD, RH ROTATION



- A = BLADE TIP THICKNESS @ 19° BLADE ANGLE
- B = RUNNING POSITION OF BLADES
- C = MAXIMUM DROOP POSITION OF BLADES
- D = MINIMUM OBSTACLE CLEARANCE AT INLET
- F = CENTERLINE OF FAN TO BASE OF BUSHING
- G = BUSHING OVERALL HEIGHT
- H = MINIMUM OBSTACLE CLEARANCE AT OUTLET
- I = NOMINAL MECHANICAL HUB DIAMETER
- L = MAXIMUM BUSHING TORQUE FT. LBS.
- # = WITH S.A.E. STANDARD SQUARE KEYWAY
- \* = WITH SHALLOW KEYWAY IN BUSHING
- o = MAX METRIC BORE WITH STANDARD KEYWAY



BUSHING AND/OR AIR SEAL  
CAN BE INSTALLED ON INLET  
OR OUTLET SIDE OF FAN

**WITH FAN OPERATING AT  
12000 FT/MINUTE BLADE TIP SPEED**

DIA	PERCENT BLADE LOADING		C	D	H	
	100%	75%				
12'	7.5"	4.3"	3.5"	5.8"	2.0"	14.0"
13'	7.5"	5.1"	4.1"	7.1"	2.0"	14.0"
14'	7.5"	6.0"	4.8"	8.5"	2.0"	14.0"
15'	7.5"	7.0"	5.6"	10.0"	2.0"	14.0"
16'	7.5"	8.1"	6.4"	11.6"	2.0"	14.0"
17'	7.5"	9.2"	7.2"	13.3"	2.0"	14.0"
18'	7.5"	10.4"	8.1"	15.1"	2.0"	14.0"
19'	7.5"	11.7"	9.0"	16.9"	2.0"	14.0"
20'	7.5"	13.0"	10.1"	18.9"	2.0"	14.0"
21'	7.5"	14.4"	11.1"	21.0"	2.0"	14.0"
22'	7.5"	15.9"	12.2"	23.2"	2.0"	14.0"
23'	7.5"	17.4"	13.4"	25.5"	2.0"	14.0"
24'	7.5"	19.1"	14.7"	27.9"	2.0"	14.0"

MAX BLADES	BUSHING TYPE	MAX # BORE	MAX * BORE	MAX o BORE	I	F	G	L
6	U	2.750"	2.938"	75	7"	2.0"	2.7"	4000
8	U	2.750"	2.938"	75	9"	2.0"	2.7"	4000
12	U	2.750"	2.938"	75	12"	2.0"	2.7"	4000
14	U	2.750"	2.938"	75	14"	2.0"	2.7"	4000
8	W	3.750"	4.000"	100	9"	2.2"	2.8"	7300
12	W	3.750"	4.000"	100	12"	2.2"	2.8"	7300
14	W	3.750"	4.000"	100	14"	2.2"	2.8"	7300
16	W	3.750"	4.000"	100	16"	2.2"	2.8"	7300
12	Z	5.000"	5.500"	140	12"	2.2"	4.0"	18000
14	Z	5.000"	5.500"	140	14"	2.2"	4.0"	18000
16	Z	5.000"	5.500"	140	16"	2.2"	4.0"	18000